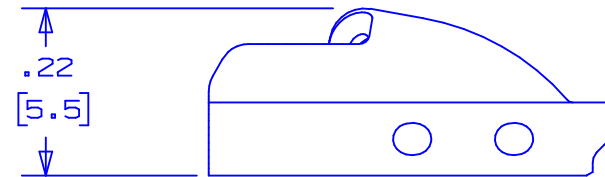
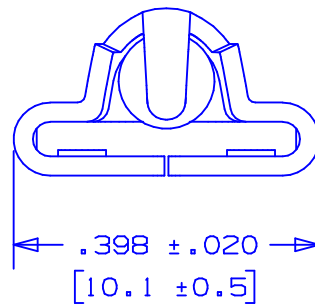
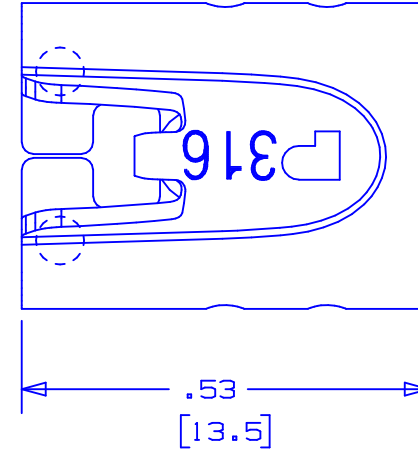


NOTES:

1. TO BE USED WITH PANDUIT POLYESTER COATED METAL BANDING MBCH.
2. APPLICATION TOOL: GS4MT, ST2MT, PPTMT, ST3MT, OR HTMT.
3. TOOL TENSION SETTING: 4 TO 8 (GS4MT AND PPTMT ONLY)
4. DIMENSIONS IN [] ARE MILLIMETERS.
5. MINIMUM LOOP TENSILE STRENGTH: 250 LBS (1112 N)
6. TOLERANCES: .X = ±.030[.762]
 .XX = ±.020[.508]
 .XXX = ±.010[.254]
 ANGLES = ±2°



S41212_00

PANDUIT CORP.

TINLEY PARK, ILLINOIS

METAL TIE HEAD HEAVY PART NO. MTHCH-C316
316 STAINLESS STEEL

00	5/05	JAMB		DRAWING RELEASED	12675						
REV	DATE	BY	CHK	DESCRIPTION	ECN #	PM	CUST	DRAWN BY	CHK'D	SCALE	DRAWING NO.
								JAMB		4x	S41212